

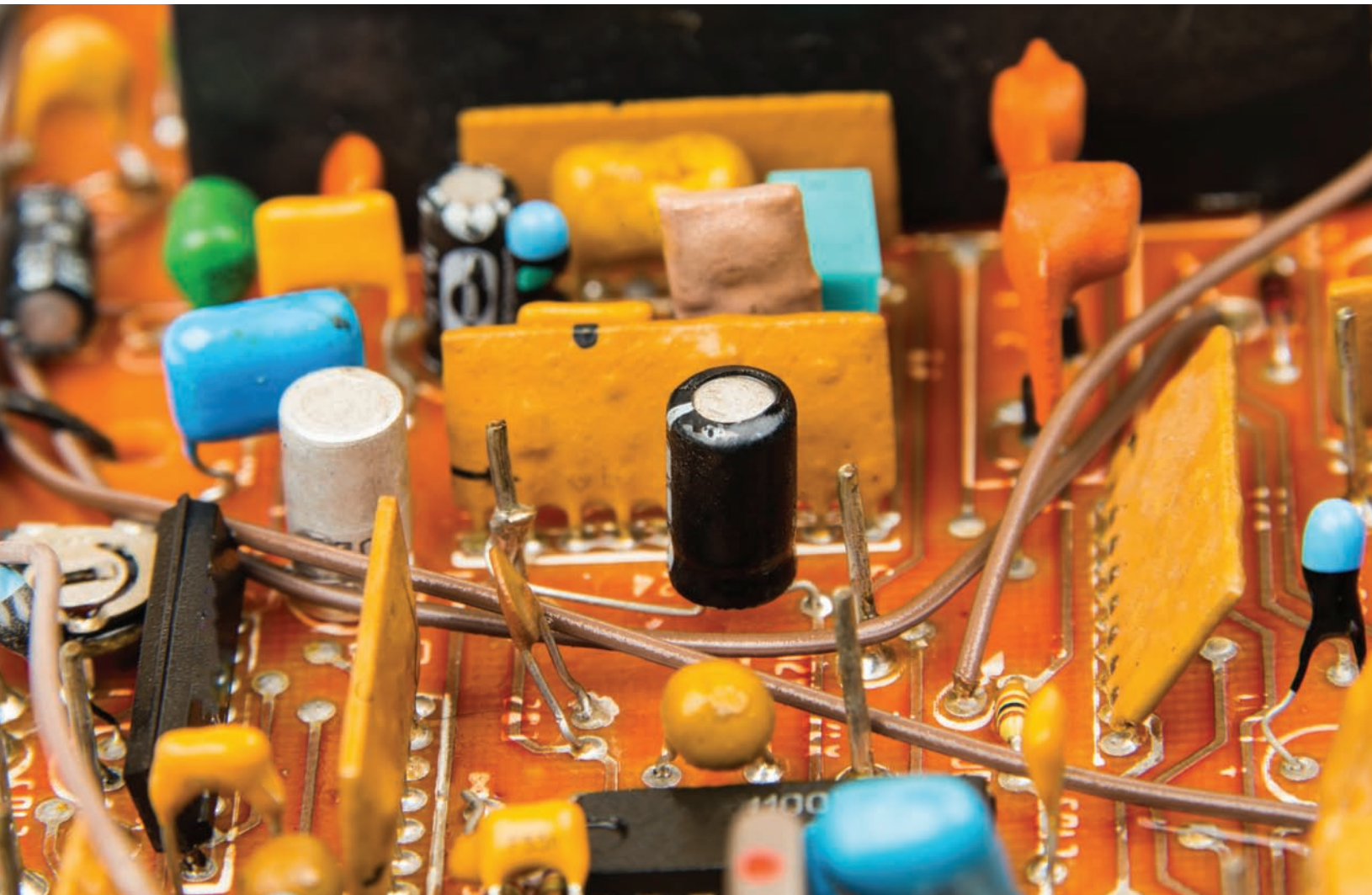
GLOBAL
EDITION



Electric Circuits

TENTH EDITION

James W. Nilsson • Susan A. Riedel



ALWAYS LEARNING

PEARSON

ELECTRIC CIRCUITS

TENTH EDITION

GLOBAL EDITION

This page is intentionally left blank.

ELECTRIC CIRCUITS

TENTH EDITION
GLOBAL EDITION

James W. Nilsson

*Professor Emeritus
Iowa State University*

Susan A. Riedel

Marquette University

PEARSON

Boston Columbus Indianapolis New York San Francisco Upper Saddle River
Amsterdam Cape Town Dubai London Madrid Milan Munich Paris Montréal Toronto
Delhi Mexico City São Paulo Sydney Hong Kong Seoul Singapore Taipei Tokyo

Vice President and Editorial Director: Marcia J. Horton
Acquisitions Editor: Andrew Gilfillan
Editorial Assistant: William Opaluch
Marketing Manager, Global Edition: Bram Van Kempen
Senior Managing Editor: Scott Disanno
Production Editor: Rose Kernan
Head, Learning Asset Acquisition,
Global Edition: Laura Dent
Acquisitions Editor, Global Edition: Karthik
Subramaniun
Project Editor, Global Edition: Aaditya Bugga

Cover Photograph: oksana2010 / Shutterstock
Senior Manufacturing Controller, Global Edition:
Trudy Kimber
Media Producer, Global Edition: Anuprova Dey
Chowdhuri
Senior Operations Supervisor: Alan Fischer
Design Manager: Kenny Beck
Manager, Rights and Permissions: Zina Arabia
Full-Service Project Management: Integra Publishing
Services
Cover Printer: Courier Kendallville

Pearson Education Limited
Edinburgh Gate
Harlow
Essex CM20 2JE
England

and Associated Companies throughout the world

Visit us on the World Wide Web at:
www.pearsonglobaleditions.com

© Pearson Education Limited, 2015

The rights of James W. Nilsson and Susan A. Riedel to be identified as the authors of this work have been asserted by them in accordance with the Copyright, Designs and Patents Act 1988.

Authorized adaptation from the United States edition, entitled Electric Circuits, 10th edition, ISBN 978-0-13-376003-3, by James W. Nilsson and Susan A. Riedel, published by Pearson Education © 2015.

All rights reserved. No part of this publication may be reproduced, stored in a retrieval system, or transmitted in any form or by any means, electronic, mechanical, photocopying, recording or otherwise, without either the prior written permission of the publisher or a license permitting restricted copying in the United Kingdom issued by the Copyright Licensing Agency Ltd, Saffron House, 6–10 Kirby Street, London EC1N 8TS.

All trademarks used herein are the property of their respective owners. The use of any trademark in this text does not vest in the author or publisher any trademark ownership rights in such trademarks, nor does the use of such trademarks imply any affiliation with or endorsement of this book by such owners.

ISBN 10: 1-292-06054-9
ISBN 13: 978-1-292-06054-5 (Print)
ISBN 13: 978-1-292-06547-2 (PDF)

British Library Cataloguing-in-Publication Data

A catalogue record for this book is available from the British Library

10 9 8 7 6 5 4 3 2 1
14 13 12 11 10

Typeset in 10/12 TimesTen-Roman by Integra Publishing Services.
Printed and bound by Courier Kendallville in the United States of America.

To Anna

This page is intentionally left blank.



Brief Contents

	List of Examples	13
	Preface	17
Chapter 1	Circuit Variables	24
Chapter 2	Circuit Elements	46
Chapter 3	Simple Resistive Circuits	78
Chapter 4	Techniques of Circuit Analysis	110
Chapter 5	The Operational Amplifier	166
Chapter 6	Inductance, Capacitance, and Mutual Inductance	196
Chapter 7	Response of First-Order <i>RL</i> and <i>RC</i> Circuits	234
Chapter 8	Natural and Step Responses of <i>RLC</i> Circuits	286
Chapter 9	Sinusoidal Steady-State Analysis	326
Chapter 10	Sinusoidal Steady-State Power Calculations	380
Chapter 11	Balanced Three-Phase Circuits	418
Chapter 12	Introduction to the Laplace Transform	448
Chapter 13	The Laplace Transform in Circuit Analysis	486
Chapter 14	Introduction to Frequency Selective Circuits	542
Chapter 15	Active Filter Circuits	578
Chapter 16	Fourier Series	624
Chapter 17	The Fourier Transform	664
Chapter 18	Two-Port Circuits	698
Appendix A	The Solution of Linear Simultaneous Equations	725
Appendix B	Complex Numbers	745
Appendix C	More on Magnetically Coupled Coils and Ideal Transformers	751
Appendix D	The Decibel	759
Appendix E	Bode Diagrams	761
Appendix F	An Abbreviated Table of Trigonometric Identities	779
Appendix G	An Abbreviated Table of Integrals	781
Appendix H	Common Standard Component Values	783
	Answers to Selected Problems	785
	Index	797

This page is intentionally left blank.

Contents

List of Examples 13

Preface 17

Chapter 1 Circuit Variables 24

Practical Perspective: Balancing Power 25

1.1 Electrical Engineering: An Overview 26

1.2 The International System of Units 30

1.3 Circuit Analysis: An Overview 32

1.4 Voltage and Current 33

1.5 The Ideal Basic Circuit Element 34

1.6 Power and Energy 36

Practical Perspective: Balancing Power 39

Summary 40

Problems 41

Chapter 2 Circuit Elements 46

Practical Perspective: Heating with Electric Radiators 47

2.1 Voltage and Current Sources 48

2.2 Electrical Resistance (Ohm's Law) 52

2.3 Construction of a Circuit Model 56

2.4 Kirchhoff's Laws 59

2.5 Analysis of a Circuit Containing Dependent Sources 64

Practical Perspective: Heating with Electric Radiators 68

Summary 70

Problems 70

Chapter 3 Simple Resistive Circuits 78

Practical Perspective: Resistive Touch Screens 79

3.1 Resistors in Series 80

3.2 Resistors in Parallel 81

3.3 The Voltage-Divider and Current-Divider Circuits 83

3.4 Voltage Division and Current Division 86

3.5 Measuring Voltage and Current 88

3.6 Measuring Resistance—The Wheatstone Bridge 91

3.7 Delta-to-Wye (Pi-to-Tee) Equivalent Circuits 93

Practical Perspective: Resistive Touch Screens 95

Summary 97

Problems 98

Chapter 4 Techniques of Circuit Analysis 110

Practical Perspective: Circuits with Realistic Resistors 111

4.1 Terminology 112

4.2 Introduction to the Node-Voltage Method 115

4.3 The Node-Voltage Method and Dependent Sources 117

4.4 The Node-Voltage Method: Some Special Cases 118

4.5 Introduction to the Mesh-Current Method 121

4.6 The Mesh-Current Method and Dependent Sources 124

4.7 The Mesh-Current Method: Some Special Cases 125

4.8 The Node-Voltage Method Versus the Mesh-Current Method 128

4.9 Source Transformations 131

4.10 Thévenin and Norton Equivalents 135

4.11 More on Deriving a Thévenin Equivalent 139

4.12 Maximum Power Transfer 142

4.13 Superposition 144

Practical Perspective: Circuits with Realistic Resistors 147

Summary 151

Problems 152

Chapter 5 The Operational Amplifier 166

Practical Perspective: Strain Gages 167

5.1 Operational Amplifier Terminals 168

5.2 Terminal Voltages and Currents 168

5.3 The Inverting-Amplifier Circuit 172

5.4 The Summing-Amplifier Circuit 174

5.5 The Noninverting-Amplifier Circuit 175

5.6 The Difference-Amplifier Circuit 177

5.7 A More Realistic Model for the Operational Amplifier 181

Practical Perspective: Strain Gages 184

Summary 186

Problems 187

Chapter 6 Inductance, Capacitance, and Mutual Inductance 196

Practical Perspective: Capacitive Touch Screens 197

- 6.1 The Inductor 198
 - 6.2 The Capacitor 204
 - 6.3 Series-Parallel Combinations of Inductance and Capacitance 209
 - 6.4 Mutual Inductance 211
 - 6.5 A Closer Look at Mutual Inductance 215
- Practical Perspective: Capacitive Touch Screens* 222
- Summary 224
- Problems 226

Chapter 7 Response of First-Order RL and RC Circuits 234

Practical Perspective: Artificial Pacemaker 235

- 7.1 The Natural Response of an RL Circuit 236
 - 7.2 The Natural Response of an RC Circuit 242
 - 7.3 The Step Response of RL and RC Circuits 246
 - 7.4 A General Solution for Step and Natural Responses 253
 - 7.5 Sequential Switching 258
 - 7.6 Unbounded Response 262
 - 7.7 The Integrating Amplifier 263
- Practical Perspective: Artificial Pacemaker* 267
- Summary 268
- Problems 269

Chapter 8 Natural and Step Responses of RLC Circuits 286

Practical Perspective: Clock for Computer Timing 287

- 8.1 Introduction to the Natural Response of a Parallel RLC Circuit 288
 - 8.2 The Forms of the Natural Response of a Parallel RLC Circuit 292
 - 8.3 The Step Response of a Parallel RLC Circuit 302
 - 8.4 The Natural and Step Response of a Series RLC Circuit 307
 - 8.5 A Circuit with Two Integrating Amplifiers 311
- Practical Perspective: Clock for Computer Timing* 315
- Summary 317
- Problems 318

Chapter 9 Sinusoidal Steady-State Analysis 326

Practical Perspective: A Household Distribution Circuit 327

- 9.1 The Sinusoidal Source 328
 - 9.2 The Sinusoidal Response 331
 - 9.3 The Phasor 332
 - 9.4 The Passive Circuit Elements in the Frequency Domain 337
 - 9.5 Kirchhoff's Laws in the Frequency Domain 341
 - 9.6 Series, Parallel, and Delta-to-Wye Simplifications 342
 - 9.7 Source Transformations and Thévenin-Norton Equivalent Circuits 349
 - 9.8 The Node-Voltage Method 352
 - 9.9 The Mesh-Current Method 353
 - 9.10 The Transformer 354
 - 9.11 The Ideal Transformer 358
 - 9.12 Phasor Diagrams 364
- Practical Perspective: A Household Distribution Circuit* 366
- Summary 367
- Problems 368

Chapter 10 Sinusoidal Steady-State Power Calculations 380

Practical Perspective: Vampire Power 381

- 10.1 Instantaneous Power 382
 - 10.2 Average and Reactive Power 383
 - 10.3 The rms Value and Power Calculations 388
 - 10.4 Complex Power 390
 - 10.5 Power Calculations 391
 - 10.6 Maximum Power Transfer 398
- Practical Perspective: Vampire Power* 404
- Summary 406
- Problems 407

Chapter 11 Balanced Three-Phase Circuits 418

Practical Perspective: Transmission and Distribution of Electric Power 419

- 11.1 Balanced Three-Phase Voltages 420
 - 11.2 Three-Phase Voltage Sources 421
 - 11.3 Analysis of the Wye-Wye Circuit 422
 - 11.4 Analysis of the Wye-Delta Circuit 427
 - 11.5 Power Calculations in Balanced Three-Phase Circuits 430
 - 11.6 Measuring Average Power in Three-Phase Circuits 435
- Practical Perspective: Transmission and Distribution of Electric Power* 438
- Summary 439
- Problems 440

Chapter 12 Introduction to the Laplace Transform 448

Practical Perspective: Transient Effects 449

- 12.1 Definition of the Laplace Transform 450
- 12.2 The Step Function 451
- 12.3 The Impulse Function 453
- 12.4 Functional Transforms 456
- 12.5 Operational Transforms 457
- 12.6 Applying the Laplace Transform 462
- 12.7 Inverse Transforms 464
- 12.8 Poles and Zeros of $F(s)$ 474
- 12.9 Initial- and Final-Value Theorems 475
- Practical Perspective: Transient Effects* 478
- Summary* 479
- Problems* 480

Chapter 13 The Laplace Transform in Circuit Analysis 486

Practical Perspective: Surge Suppressors 487

- 13.1 Circuit Elements in the s Domain 488
- 13.2 Circuit Analysis in the s Domain 490
- 13.3 Applications 492
- 13.4 The Transfer Function 504
- 13.5 The Transfer Function in Partial Fraction Expansions 506
- 13.6 The Transfer Function and the Convolution Integral 509
- 13.7 The Transfer Function and the Steady-State Sinusoidal Response 515
- 13.8 The Impulse Function in Circuit Analysis 518
- Practical Perspective: Surge Suppressors* 525
- Summary* 526
- Problems* 527

Chapter 14 Introduction to Frequency Selective Circuits 542

Practical Perspective: Pushbutton Telephone Circuits 543

- 14.1 Some Preliminaries 544
- 14.2 Low-Pass Filters 546
- 14.3 High-Pass Filters 552
- 14.4 Bandpass Filters 556
- 14.5 Bandreject Filters 565
- Practical Perspective: Pushbutton Telephone Circuits* 570
- Summary* 570
- Problems* 571

Chapter 15 Active Filter Circuits 578

Practical Perspective: Bass Volume Control 579

- 15.1 First-Order Low-Pass and High-Pass Filters 580
- 15.2 Scaling 584
- 15.3 Op Amp Bandpass and Bandreject Filters 586
- 15.4 Higher Order Op Amp Filters 593
- 15.5 Narrowband Bandpass and Bandreject Filters 606
- Practical Perspective: Bass Volume Control* 611
- Summary* 614
- Problems* 615

Chapter 16 Fourier Series 624

Practical Perspective: Active High-Q Filters 625

- 16.1 Fourier Series Analysis: An Overview 627
- 16.2 The Fourier Coefficients 628
- 16.3 The Effect of Symmetry on the Fourier Coefficients 631
- 16.4 An Alternative Trigonometric Form of the Fourier Series 637
- 16.5 An Application 639
- 16.6 Average-Power Calculations with Periodic Functions 643
- 16.7 The rms Value of a Periodic Function 646
- 16.8 The Exponential Form of the Fourier Series 647
- 16.9 Amplitude and Phase Spectra 650
- Practical Perspective: Active High-Q Filters* 652
- Summary* 654
- Problems* 655

Chapter 17 The Fourier Transform 664

Practical Perspective: Filtering Digital Signals 665

- 17.1 The Derivation of the Fourier Transform 666
- 17.2 The Convergence of the Fourier Integral 668
- 17.3 Using Laplace Transforms to Find Fourier Transforms 670
- 17.4 Fourier Transforms in the Limit 673
- 17.5 Some Mathematical Properties 675
- 17.6 Operational Transforms 677
- 17.7 Circuit Applications 681
- 17.8 Parseval's Theorem 684
- Practical Perspective: Filtering Digital Signals* 691
- Summary* 692
- Problems* 692

Chapter 18 Two-Port Circuits 698*Practical Perspective: Characterizing an Unknown Circuit* 699

- 18.1 The Terminal Equations 700
- 18.2 The Two-Port Parameters 701
- 18.3 Analysis of the Terminated Two-Port Circuit 709
- 18.4 Interconnected Two-Port Circuits 714
 - Practical Perspective: Characterizing an Unknown Circuit* 717
 - Summary* 718
 - Problems* 718

Appendix A The Solution of Linear Simultaneous Equations 725

- A.1 Preliminary Steps 725
- A.2 Cramer's Method 726
- A.3 The Characteristic Determinant 726
- A.4 The Numerator Determinant 726
- A.5 The Evaluation of a Determinant 727
- A.6 Matrices 729
- A.7 Matrix Algebra 730
- A.8 Identity, Adjoint, and Inverse Matrices 734
- A.9 Partitioned Matrices 737
- A.10 Applications 740

Appendix B Complex Numbers 745

- B.1 Notation 745
- B.2 The Graphical Representation of a Complex Number 746
- B.3 Arithmetic Operations 747
- B.4 Useful Identities 748
- B.5 The Integer Power of a Complex Number 749
- B.6 The Roots of a Complex Number 749

Appendix C More on Magnetically Coupled Coils and Ideal Transformers 751

- C.1 Equivalent Circuits for Magnetically Coupled Coils 751
- C.2 The Need for Ideal Transformers in the Equivalent Circuits 755

Appendix D The Decibel 759**Appendix E Bode Diagrams 761**

- E.1 Real, First-Order Poles and Zeros 761
- E.2 Straight-Line Amplitude Plots 762
- E.3 More Accurate Amplitude Plots 766
- E.4 Straight-Line Phase Angle Plots 767
- E.5 Bode Diagrams: Complex Poles and Zeros 769
- E.6 Amplitude Plots 771
- E.7 Correcting Straight-Line Amplitude Plots 772
- E.8 Phase Angle Plots 775

Appendix F An Abbreviated Table of Trigonometric Identities 779**Appendix G An Abbreviated Table of Integrals 781****Appendix H Common Standard Component Values 783****Answers to Selected Problems 785****Index 797**

List of Examples

Chapter 1

- 1.1 Using SI Units and Prefixes for Powers of 10 32
- 1.2 Relating Current and Charge 36
- 1.3 Relating Voltage, Current, Power, and Energy 38

Chapter 2

- 2.1 Testing Interconnections of Ideal Sources 50
- 2.2 Testing Interconnections of Ideal Independent and Dependent Sources 51
- 2.3 Calculating Voltage, Current, and Power for a Simple Resistive Circuit 55
- 2.4 Constructing a Circuit Model of a Flashlight 56
- 2.5 Constructing a Circuit Model Based on Terminal Measurements 58
- 2.6 Using Kirchhoff's Current Law 61
- 2.7 Using Kirchhoff's Voltage Law 62
- 2.8 Applying Ohm's Law and Kirchhoff's Laws to Find an Unknown Current 62
- 2.9 Constructing a Circuit Model Based on Terminal Measurements 63
- 2.10 Applying Ohm's Law and Kirchhoff's Laws to Find an Unknown Voltage 66
- 2.11 Applying Ohm's Law and Kirchhoff's Law in an Amplifier Circuit 67

Chapter 3

- 3.1 Applying Series-Parallel Simplification 82
- 3.2 Analyzing the Voltage-Divider Circuit 84
- 3.3 Analyzing a Current-Divider Circuit 85
- 3.4 Using Voltage Division and Current Division to Solve a Circuit 88
- 3.5 Using a d'Arsonval Ammeter 90
- 3.6 Using a d'Arsonval Voltmeter 90
- 3.7 Applying a Delta-to-Wye Transform 94

Chapter 4

- 4.1 Identifying Node, Branch, Mesh and Loop in a Circuit 112
- 4.2 Using the Node-Voltage Method 116
- 4.3 Using the Node-Voltage Method with Dependent Sources 117
- 4.4 Using the Mesh-Current Method 123
- 4.5 Using the Mesh-Current Method with Dependent Sources 124

- 4.6 Understanding the Node-Voltage Method Versus Mesh-Current Method 129
- 4.7 Comparing the Node-Voltage and Mesh-Current Methods 130
- 4.8 Using Source Transformations to Solve a Circuit 132
- 4.9 Using Special Source Transformation Techniques 134
- 4.10 Finding the Thévenin Equivalent of a Circuit with a Dependent Source 138
- 4.11 Finding the Thévenin Equivalent Using a Test Source 140
- 4.12 Calculating the Condition for Maximum Power Transfer 143
- 4.13 Using Superposition to Solve a Circuit 146

Chapter 5

- 5.1 Analyzing an Op Amp Circuit 171
- 5.2 Designing an Inverting Amplifier 173
- 5.3 Designing a Noninverting Amplifier 176
- 5.4 Designing a Difference Amplifier 177

Chapter 6

- 6.1 Determining the Voltage, Given the Current, at the Terminals of an Inductor 199
- 6.2 Determining the Current, Given the Voltage, at the Terminals of an Inductor 200
- 6.3 Determining the Current, Voltage, Power, and Energy for an Inductor 202
- 6.4 Determining Current, Voltage, Power, and Energy for a Capacitor 206
- 6.5 Finding v , p , and w Induced by a Triangular Current Pulse for a Capacitor 207
- 6.6 Finding Mesh-Current Equations for a Circuit with Magnetically Coupled Coils 214

Chapter 7

- 7.1 Determining the Natural Response of an RL Circuit 240
- 7.2 Determining the Natural Response of an RL Circuit with Parallel Inductors 241
- 7.3 Determining the Natural Response of an RC Circuit 244
- 7.4 Determining the Natural Response of an RC Circuit with Series Capacitors 245

- 7.5 Determining the Step Response of an *RL* Circuit 249
- 7.6 Determining the Step Response of an *RC* Circuit 252
- 7.7 Using the General Solution Method to Find an *RC* Circuit's Step Response 255
- 7.8 Using the General Solution Method with Zero Initial Conditions 256
- 7.9 Using the General Solution Method to Find an *RL* Circuit's Step Response 256
- 7.10 Determining the Step Response of a Circuit with Magnetically Coupled Coils 257
- 7.11 Analyzing an *RL* Circuit that has Sequential Switching 259
- 7.12 Analyzing an *RC* Circuit that has Sequential Switching 261
- 7.13 Finding the Unbounded Response in an *RC* Circuit 263
- 7.14 Analyzing an Integrating Amplifier 265
- 7.15 Analyzing an Integrating Amplifier that has Sequential Switching 265

Chapter 8

- 8.1 Finding the Roots of the Characteristic Equation of a Parallel *RLC* Circuit 291
- 8.2 Finding the Overdamped Natural Response of a Parallel *RLC* Circuit 294
- 8.3 Calculating Branch Currents in the Natural Response of a Parallel *RLC* Circuit 295
- 8.4 Finding the Underdamped Natural Response of a Parallel *RLC* Circuit 297
- 8.5 Finding the Critically Damped Natural Response of a Parallel *RLC* Circuit 300
- 8.6 Finding the Overdamped Step Response of a Parallel *RLC* Circuit 304
- 8.7 Finding the Underdamped Step Response of a Parallel *RLC* Circuit 305
- 8.8 Finding the Critically Damped Step Response of a Parallel *RLC* Circuit 305
- 8.9 Comparing the Three-Step Response Forms 306
- 8.10 Finding Step Response of a Parallel *RLC* Circuit with Initial Stored Energy 306
- 8.11 Finding the Underdamped Natural Response of a Series *RLC* Circuit 309
- 8.12 Finding the Underdamped Step Response of a Series *RLC* Circuit 310
- 8.13 Analyzing Two Cascaded Integrating Amplifiers 312
- 8.14 Analyzing Two Cascaded Integrating Amplifiers with Feedback Resistors 315

Chapter 9

- 9.1 Finding the Characteristics of a Sinusoidal Current 329
- 9.2 Finding the Characteristics of a Sinusoidal Voltage 330
- 9.3 Translating a Sine Expression to a Cosine Expression 330
- 9.4 Calculating the rms Value of a Triangular Waveform 330
- 9.5 Adding Cosines Using Phasors 336
- 9.6 Combining Impedances in Series 343
- 9.7 Combining Impedances in Series and in Parallel 345
- 9.8 Using a Delta-to-Wye Transform in the Frequency Domain 347
- 9.9 Performing Source Transformations in the Frequency Domain 349
- 9.10 Finding a Thévenin Equivalent in the Frequency Domain 350
- 9.11 Using the Node-Voltage Method in the Frequency Domain 352
- 9.12 Using the Mesh-Current Method in the Frequency Domain 353
- 9.13 Analyzing a Linear Transformer in the Frequency Domain 357
- 9.14 Analyzing an Ideal Transformer Circuit in the Frequency Domain 362
- 9.15 Using Phasor Diagrams to Analyze a Circuit 364
- 9.16 Using Phasor Diagrams to Analyze Capacitive Loading Effects 365

Chapter 10

- 10.1 Calculating Average and Reactive Power 386
- 10.2 Making Power Calculations Involving Household Appliances 387
- 10.3 Determining Average Power Delivered to a Resistor by Sinusoidal Voltage 389
- 10.4 Calculating Complex Power 391
- 10.5 Calculating Average and Reactive Power 394
- 10.6 Calculating Power in Parallel Loads 395
- 10.7 Balancing Power Delivered with Power Absorbed in an ac Circuit 396
- 10.8 Determining Maximum Power Transfer without Load Restrictions 400
- 10.9 Determining Maximum Power Transfer with Load Impedance Restriction 401
- 10.10 Finding Maximum Power Transfer with Impedance Angle Restrictions 402
- 10.11 Finding Maximum Power Transfer in a Circuit with an Ideal Transformer 403

Chapter 11

- 11.1 Analyzing a Wye-Wye Circuit 425
- 11.2 Analyzing a Wye-Delta Circuit 428
- 11.3 Calculating Power in a Three-Phase Wye-Wye Circuit 433
- 11.4 Calculating Power in a Three-Phase Wye-Delta Circuit 433
- 11.5 Calculating Three-Phase Power with an Unspecified Load 434
- 11.6 Computing Wattmeter Readings in Three-Phase Circuits 437

Chapter 12

- 12.1 Using Step Functions to Represent a Function of Finite Duration 452

Chapter 13

- 13.1 Deriving the Transfer Function of a Circuit 505
- 13.2 Analyzing the Transfer Function of a Circuit 507
- 13.3 Using the Convolution Integral to Find an Output Signal 513
- 13.4 Using the Transfer Function to Find the Steady-State Sinusoidal Response 517

Chapter 14

- 14.1 Designing a Low-Pass Filter 549
- 14.2 Designing a Series RC Low-Pass Filter 550
- 14.3 Designing a Series RL High-Pass Filter 554
- 14.4 Loading the Series RL High-Pass Filter 554
- 14.5 Designing a Bandpass Filter 560
- 14.6 Designing a Parallel RLC Bandpass Filter 561
- 14.7 Determining Effect of a Nonideal Voltage Source on a RLC Bandpass Filter 562
- 14.8 Designing a Series RLC Bandreject Filter 568

Chapter 15

- 15.1 Designing a Low-Pass Op Amp Filter 581
- 15.2 Designing a High-Pass Op Amp Filter 583
- 15.3 Scaling a Series RLC Circuit 585
- 15.4 Scaling a Prototype Low-Pass Op Amp Filter 585
- 15.5 Designing a Broadband Bandpass Op Amp Filter 589
- 15.6 Designing a Broadband Bandreject Op Amp Filter 592
- 15.7 Designing a Fourth-Order Low-Pass Op Amp Filter 596
- 15.8 Calculating Butterworth Transfer Functions 599

- 15.9 Designing a Fourth-Order Low-Pass Butterworth Filter 601
- 15.10 Determining the Order of a Butterworth Filter 604
- 15.11 An Alternate Approach to Determining the Order of a Butterworth Filter 604
- 15.12 Designing a High- Q Bandpass Filter 608
- 15.13 Designing a High- Q Bandreject Filter 610

Chapter 16

- 16.1 Finding the Fourier Series of a Triangular Waveform with No Symmetry 629
- 16.2 Finding the Fourier Series of an Odd Function with Symmetry 636
- 16.3 Calculating Forms of the Trigonometric Fourier Series for Periodic Voltage 638
- 16.4 Calculating Average Power for a Circuit with a Periodic Voltage Source 645
- 16.5 Estimating the rms Value of a Periodic Function 647
- 16.6 Finding the Exponential Form of the Fourier Series 649

Chapter 17

- 17.1 Using the Fourier Transform to Find the Transient Response 682
- 17.2 Using the Fourier Transform to Find the Sinusoidal Steady-State Response 683
- 17.3 Applying Parseval's Theorem 686
- 17.4 Applying Parseval's Theorem to an Ideal Bandpass Filter 687
- 17.5 Applying Parseval's Theorem to a Low-Pass Filter 688

Chapter 18

- 18.1 Finding the z Parameters of a Two-Port Circuit 701
- 18.2 Finding the a Parameters from Measurements 703
- 18.3 Finding h Parameters from Measurements and Table 18.1 706
- 18.4 Analyzing a Terminated Two-Port Circuit 712
- 18.5 Analyzing Cascaded Two-Port Circuits 716

This page is intentionally left blank.



Preface

The first edition of *Electric Circuits*, an introductory circuits text, was published in 1983. It included 100 worked examples and about 600 problems. It did not include a student workbook, supplements for PSpice or MultiSim, or any web support. Support for instructors was limited to a solution manual for the problems and enlarged copies of many text figures, suitable for making transparencies.

Much has changed in the 31 years since *Electric Circuits* first appeared, and during that time this text has evolved to better meet the needs of both students and their instructors. As an example, the text now includes about 150 worked examples, about 1850 problems, and extensive supplements and web content. The tenth edition is designed to revise and improve the material presented in the text, in its supplements, and on the web. Yet the fundamental goals of the text are unchanged. These goals are:

- To build an understanding of concepts and ideas explicitly in terms of previous learning. Students are constantly challenged by the need to layer new concepts on top of previous concepts they may still be struggling to master. This text provides an important focus on helping students understand how new concepts are related to and rely upon concepts previously presented.
- To emphasize the relationship between conceptual understanding and problem-solving approaches. Developing problem-solving skills continues to be the central challenge in a first-year circuits course. In this text we include numerous Examples that present problem-solving techniques followed by Assessment Problems that enable students to test their mastery of the material and techniques introduced. The problem-solving process we illustrate is based on concepts rather than the use of rote procedures. This encourages students to think about a problem before attempting to solve it.
- To provide students with a strong foundation of engineering practices. There are limited opportunities in a first-year circuit analysis course to introduce students to realistic engineering experiences. We continue to take advantage of the opportunities that do exist by including problems and examples that use realistic component values and represent realizable circuits. We include many problems related to the Practical Perspective problems that begin each chapter. We also include problems intended to stimulate the students' interest in engineering, where the problems require the type of insight typical of a practicing engineer.

WHY THIS EDITION?

The tenth edition revision of *Electric Circuits* began with a thorough review of the text. This review provided a clear picture of what matters most to instructors and their students and led to the following changes:

- Problem solving is fundamental to the study of circuit analysis. Having a wealth of new problems to assign and work is a key to success in any circuits course. Therefore, existing end-of-chapter problems were revised, and new end-of-chapter problems were added. As a result, more than 40% of the problems in the tenth edition have never appeared in any previous edition of the text.

- Both students and instructors want to know how the generalized techniques presented in a first-year circuit analysis course relate to problems faced by practicing engineers. The Practical Perspective problems provide this connection between circuit analysis and the real world. We have created new Practical Perspective problems for Chapters 2, 3, 6, 7, 8, and 10. Many of the new problems represent the world of the 21st century. Each Practical Perspective problem is solved, at least in part, at the end of the chapter, and additional end-of-chapter problems can be assigned to allow students to explore the Practical Perspective topic further.
- The PSpice and Multisim manuals have been revised to include screenshots from the most recent versions of these software simulation applications. Each manual presents the simulation material in the same order as the material is presented in the text. These manuals continue to include examples of circuits to be simulated that are drawn directly from the text. The text continues to indicate end-of-chapter problems that are good candidates for simulation using either PSpice or Multisim.
- Students who could benefit from additional examples and practice problems can use the Student Workbook, which has been revised to reflect changes to the tenth edition of the text. This workbook has examples and problems covering the following material: balancing power, simple resistive circuits, node voltage method, mesh current method, Thévenin and Norton equivalents, op amp circuits, first-order circuits, second-order circuits, AC steady-state analysis, and Laplace transform circuit analysis.
- The Student Workbook now includes access to Video Solutions, complete, step-by-step solution walkthroughs to representative homework problems.
- Learning Catalytics, a “bring your own device” student engagement, assessment, and classroom intelligence system is now available with the tenth edition. With Learning Catalytics you can:
 - Use open-ended questions to get into the minds of students to understand what they do or don’t know and adjust lectures accordingly.
 - Use a wide variety of question types to sketch a graph, annotate a circuit diagram, compose numeric or algebraic answers, and more.
 - Access rich analytics to understand student performance.
 - Use pre-built questions or add your own to make Learning Catalytics fit your course exactly.
- MasteringEngineering is an online tutorial and assessment program that provides students with personalized feedback and hints and instructors with diagnostics to track students’ progress. With the tenth edition, MasteringEngineering will offer new tutorial homework problems, Coaching Activities, and Adaptive Follow-Up assignments. Visit www.masteringengineering.com for more information.

HALLMARK FEATURES

Chapter Problems

Users of *Electric Circuits* have consistently rated the Chapter Problems as one of the book’s most attractive features. In the tenth edition, there are over 1650 end-of-chapter problems with approximately 40% that have never appeared in a previous edition. Problems are organized at the end of each chapter by section.

Practical Perspectives

The tenth edition continues the use of Practical Perspectives introduced with the chapter openers. They offer examples of real-world circuits, taken from real-world devices. The Practical Perspectives for six of the chapters are brand new to this edition. Every chapter begins with a brief description of a practical application of the material that follows. Once the chapter material is presented, the chapter concludes with a quantitative analysis of the Practical Perspective application. A group of end-of-chapter problems directly relates to the Practical Perspective application. Solving some of these problems enables you to understand how to apply the chapter contents to the solution of a real-world problem.

Assessment Problems

Each chapter begins with a set of chapter objectives. At key points in the chapter, you are asked to stop and assess your mastery of a particular objective by solving one or more assessment problems. The answers to all of the assessment problems are given at the conclusion of each problem, so you can check your work. If you are able to solve the assessment problems for a given objective, you have mastered that objective. If you need more practice, several end-of-chapter problems that relate to the objective are suggested at the conclusion of the assessment problems.

Examples

Every chapter includes many examples that illustrate the concepts presented in the text in the form of a numeric example. There are nearly 150 examples in this text. The examples are intended to illustrate the application of a particular concept, and also to encourage good problem-solving skills.

Fundamental Equations and Concepts

Throughout the text, you will see fundamental equations and concepts set apart from the main text. This is done to help you focus on some of the key principles in electric circuits and to help you navigate through the important topics.

Integration of Computer Tools

Computer tools can assist students in the learning process by providing a visual representation of a circuit's behavior, validating a calculated solution, reducing the computational burden of more complex circuits, and iterating toward a desired solution using parameter variation. This computational support is often invaluable in the design process. The tenth edition includes the support of PSpice® and Multisim®, both popular computer tools for circuit simulation and analysis. Chapter problems suited for exploration with PSpice and Multisim are marked accordingly.

Design Emphasis

The tenth edition continues to support the emphasis on the design of circuits in many ways. First, many of the Practical Perspective discussions focus on the design aspects of the circuits. The accompanying Chapter Problems continue the discussion of the design issues in these practical examples. Second, design-oriented Chapter Problems have been labeled explicitly, enabling students and instructors to identify those problems with a design focus. Third, the identification of problems suited to exploration with PSpice or Multisim suggests design opportunities using these

software tools. Fourth, some problems in nearly every chapter focus on the use of realistic component values in achieving a desired circuit design. Once such a problem has been analyzed, the student can proceed to a laboratory to build and test the circuit, comparing the analysis with the measured performance of the actual circuit.

Accuracy

All text and problems in the tenth edition have undergone our strict hallmark accuracy checking process, to ensure the most error-free book possible.

RESOURCES FOR STUDENTS

MasteringEngineering. MasteringEngineering provides tutorial homework problems designed to emulate the instructor's office hour environment, guiding students through engineering concepts with self-paced individualized coaching. These in-depth tutorial homework problems provide students with feedback specific to their errors and optional hints that break problems down into simpler steps. Visit www.masteringengineering.com for more information.

Student Workbook. This resource teaches students techniques for solving problems presented in the text. Organized by concepts, this is a valuable problem-solving resource for all levels of students.

The Student Workbook now includes access to Video Solutions, complete, step-by-step solution walkthroughs to representative homework problems.

Introduction to Multisim and Introduction to PSpice Manuals—Updated for the tenth edition, these manuals are excellent resources for those wishing to integrate PSpice or Multisim into their classes.

RESOURCES FOR INSTRUCTORS

All instructor resources are available for download at www.pearsonglobaleditions.com. If you are in need of a login and password for this site, please contact your local Pearson representative.

Instructor Solutions Manual—Fully worked-out solutions to Assessment Problems and end-of-chapter problems.

PowerPoint lecture images—All figures from the text are available in PowerPoint for your lecture needs. An additional set of full lecture slides with embedded assessment questions are available upon request.

MasteringEngineering. This online tutorial and assessment program allows you to integrate dynamic homework with automated grading and personalized feedback. MasteringEngineering allows you to easily track the performance of your entire class on an assignment-by-assignment basis, or the detailed work of an individual student. For more information visit www.masteringengineering.com.

Learning Catalytics—This “bring your own device” student engagement, assessment and classroom intelligence system enables you to measure student learning during class, and adjust your lectures accordingly. A wide variety of question and answer types allows you to author your own questions, or you can use questions already authored into the system. For more information visit www.learningcatalytics.com.

PREREQUISITES

In writing the first 12 chapters of the text, we have assumed that the reader has taken a course in elementary differential and integral calculus. We have also assumed that the reader has had an introductory physics course, at either the high school or university level, that introduces the concepts of energy, power, electric charge, electric current, electric potential, and electromagnetic fields. In writing the final six chapters, we have assumed the student has had, or is enrolled in, an introductory course in differential equations.

COURSE OPTIONS

The text has been designed for use in a one-semester, two-semester, or a three-quarter sequence.

- *Single-semester course:* After covering Chapters 1–4 and Chapters 6–10 (omitting Sections 7.7 and 8.5) the instructor can choose from Chapter 5 (operational amplifiers), Chapter 11 (three-phase circuits), Chapters 13 and 14 (Laplace methods), and Chapter 18 (Two-Port Circuits) to develop the desired emphasis.
- *Two-semester sequence:* Assuming three lectures per week, the first nine chapters can be covered during the first semester, leaving Chapters 10–18 for the second semester.
- *Academic quarter schedule:* The book can be subdivided into three parts: Chapters 1–6, Chapters 7–12, and Chapters 13–18.

The introduction to operational amplifier circuits in Chapter 5 can be omitted without interfering with the reading of subsequent chapters. For example, if Chapter 5 is omitted, the instructor can simply skip Section 7.7, Section 8.5, Chapter 15, and those assessment problems and end-of-chapter problems in the chapters following Chapter 5 that pertain to operational amplifiers.

There are several appendixes at the end of the book to help readers make effective use of their mathematical background. Appendix A reviews Cramer’s method of solving simultaneous linear equations and simple matrix algebra; complex numbers are reviewed in Appendix B; Appendix C contains additional material on magnetically coupled coils and ideal transformers; Appendix D contains a brief discussion of the decibel; Appendix E is dedicated to Bode diagrams; Appendix F is devoted to an abbreviated table of trigonometric identities that are useful in circuit analysis; and an abbreviated table of useful integrals is given in Appendix G. Appendix H provides tables of common standard component values for resistors, inductors, and capacitors, to be used in solving many end-of-chapter problems. Selected Answers provides answers to selected end-of-chapter problems.

ACKNOWLEDGMENTS

There were many hard-working people behind the scenes at our publisher who deserve our thanks and gratitude for their efforts on behalf of the tenth edition. At Pearson, we would like to thank Andrew Gilfillan, Rose Kernan, Gregory Dulles, Tim Galligan, and Scott Disanno for their continued support and encouragement, their professional demeanor, their willingness to lend an ear, and their months of long hours and no weekends. The authors would also like to acknowledge the staff at Integra Software Solutions for their dedication and hard work in typesetting this text. The authors would also like to thank Kurt Norlin for his help in accuracy checking the text and problems.

We are very grateful for the many instructors and students who have done formal reviews of the text or offered positive feedback and suggestions for improvement more informally. We are pleased to receive email from instructors and students who use the book, even when they are pointing out an error we failed to catch in the review process. We have been contacted by people who use our text from all over the world, and we thank all of you for taking the time to do so. We use as many of your suggestions as possible to continue to improve the content, the pedagogy, and the presentation in this text. We are privileged to have the opportunity to impact the educational experience of the many thousands of future engineers who will use this text.

JAMES W. NILSSON
SUSAN A. RIEDEL

Pearson would like to thank and acknowledge the following people for their work on the Global Edition:

Contributors:

Sanjay H. S., *M. S. Ramaiah Institute of Technology*

Babu K. S., *M. S. Ramaiah Institute of Technology*

Reviewer:

Anand M. J., *P. E. S. College of Engineering*

ELECTRIC CIRCUITS

TENTH EDITION

CHAPTER CONTENTS

- 1.1 **Electrical Engineering: An Overview** *p. 26*
- 1.2 **The International System of Units** *p. 30*
- 1.3 **Circuit Analysis: An Overview** *p. 32*
- 1.4 **Voltage and Current** *p. 33*
- 1.5 **The Ideal Basic Circuit Element** *p. 34*
- 1.6 **Power and Energy** *p. 36*

✓ CHAPTER OBJECTIVES

- 1 Understand and be able to use SI units and the standard prefixes for powers of 10.
- 2 Know and be able to use the definitions of *voltage* and *current*.
- 3 Know and be able to use the definitions of *power* and *energy*.
- 4 Be able to use the passive sign convention to calculate the power for an ideal basic circuit element given its voltage and current.

Circuit Variables

Electrical engineering is an exciting and challenging profession for anyone who has a genuine interest in, and aptitude for, applied science and mathematics. Over the past century and a half, electrical engineers have played a dominant role in the development of systems that have changed the way people live and work. Satellite communication links, telephones, digital computers, televisions, diagnostic and surgical medical equipment, assembly-line robots, and electrical power tools are representative components of systems that define a modern technological society. As an electrical engineer, you can participate in this ongoing technological revolution by improving and refining these existing systems and by discovering and developing new systems to meet the needs of our ever-changing society.

As you embark on the study of circuit analysis, you need to gain a feel for where this study fits into the hierarchy of topics that comprise an introduction to electrical engineering. Hence we begin by presenting an overview of electrical engineering, some ideas about an engineering point of view as it relates to circuit analysis, and a review of the international system of units.

We then describe generally what circuit analysis entails. Next, we introduce the concepts of voltage and current. We follow these concepts with discussion of an ideal basic element and the need for a polarity reference system. We conclude the chapter by describing how current and voltage relate to power and energy.

Practical Perspective

Balancing Power

One of the most important skills you will develop is the ability to check your answers for the circuits you design and analyze using the tools developed in this text. A common method used to check for valid answers is to balance the power in the circuit. The linear circuits we study have no net power, so the sum of the power associated with each circuit component must be zero. If the total power for the circuit is zero, we say that the power balances, but if the total power is not zero, we need to find the errors in our calculation.

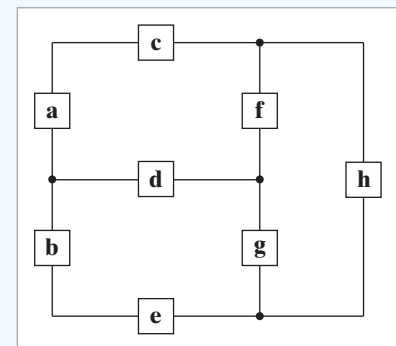
As an example, we will consider a very simple model for the distribution of electricity to a typical home, as shown

below. (Note that a more realistic model will be investigated in the Practical Perspective for Chapter 9.) The components labeled a and b represent the electrical source to the home. The components labeled c, d, and e represent the wires that carry the electrical current from the source to the devices in the home requiring electrical power. The components labeled f, g, and h represent lamps, televisions, hair dryers, refrigerators, and other devices that require power.

Once we have introduced the concepts of voltage, current, power, and energy, we will examine this circuit model in detail, and use a power balance to determine whether the results of analyzing this circuit are correct.



romakoma/Shutterstock



Elena Elisseeva/Alamy

1.1 Electrical Engineering: An Overview

Electrical engineering is the profession concerned with systems that produce, transmit, and measure electric signals. Electrical engineering combines the physicist's models of natural phenomena with the mathematician's tools for manipulating those models to produce systems that meet practical needs. Electrical systems pervade our lives; they are found in homes, schools, workplaces, and transportation vehicles everywhere. We begin by presenting a few examples from each of the five major classifications of electrical systems:

- communication systems
- computer systems
- control systems
- power systems
- signal-processing systems

Then we describe how electrical engineers analyze and design such systems.

Communication systems are electrical systems that generate, transmit, and distribute information. Well-known examples include television equipment, such as cameras, transmitters, receivers, and VCRs; radio telescopes, used to explore the universe; satellite systems, which return images of other planets and our own; radar systems, used to coordinate plane flights; and telephone systems.

Figure 1.1 depicts the major components of a modern telephone system. Starting at the left of the figure, inside a telephone, a microphone turns sound waves into electric signals. These signals are carried to a switching center where they are combined with the signals from tens, hundreds, or thousands of other telephones. The combined signals leave the switching center; their form depends on the distance they must travel. In our example, they are sent through wires in underground coaxial cables to a microwave transmission station. Here, the signals are transformed into microwave frequencies and broadcast from a transmission antenna through air and space, via a communications satellite, to a receiving antenna. The microwave receiving station translates the microwave signals into a form suitable for further transmission, perhaps as pulses of light to be sent through fiber-optic cable. On arrival at the second switching center, the combined signals are separated, and each is routed to the appropriate telephone, where an earphone acts as a speaker to convert the received electric signals back into sound waves. At each stage of the process, electric circuits operate on the signals. Imagine the challenge involved in designing, building, and operating each circuit in a way that guarantees that all of the hundreds of thousands of simultaneous calls have high-quality connections.

Computer systems use electric signals to process information ranging from word processing to mathematical computations. Systems range in size and power from pocket calculators to personal computers to supercomputers that perform such complex tasks as processing weather data and modeling chemical interactions of complex organic molecules. These systems include networks of microcircuits, or integrated circuits—postage-stamp-sized assemblies of hundreds, thousands, or millions of electrical components that often operate at speeds and power levels close to fundamental physical limits, including the speed of light and the thermodynamic laws.

Control systems use electric signals to regulate processes. Examples include the control of temperatures, pressures, and flow rates in an oil refinery; the fuel-air mixture in a fuel-injected automobile engine; mechanisms such as the motors, doors, and lights in elevators; and the locks in the

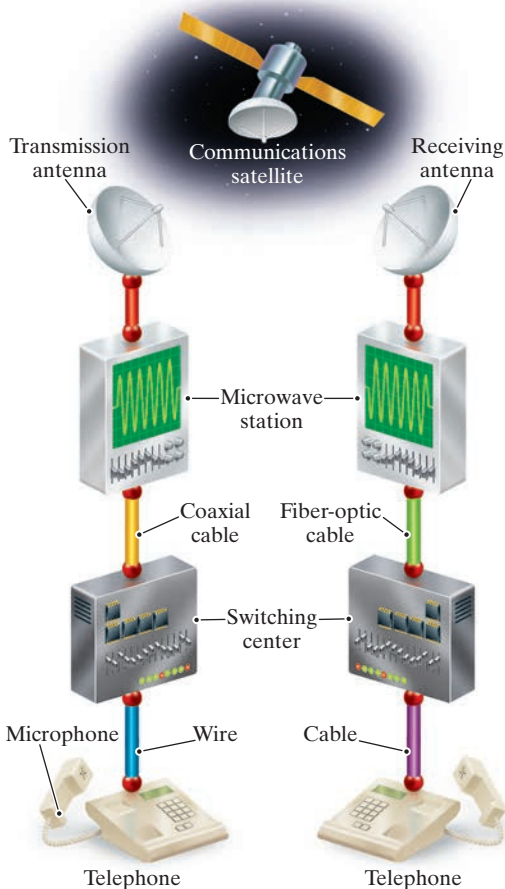


Figure 1.1 ▲ A telephone system.

Panama Canal. The autopilot and autoland systems that help to fly and land airplanes are also familiar control systems.

Power systems generate and distribute electric power. Electric power, which is the foundation of our technology-based society, usually is generated in large quantities by nuclear, hydroelectric, and thermal (coal-, oil-, or gas-fired) generators. Power is distributed by a grid of conductors that crisscross the country. A major challenge in designing and operating such a system is to provide sufficient redundancy and control so that failure of any piece of equipment does not leave a city, state, or region completely without power.

Signal-processing systems act on electric signals that represent information. They transform the signals and the information contained in them into a more suitable form. There are many different ways to process the signals and their information. For example, image-processing systems gather massive quantities of data from orbiting weather satellites, reduce the amount of data to a manageable level, and transform the remaining data into a video image for the evening news broadcast. A computerized tomography (CT) scan is another example of an image-processing system. It takes signals generated by a special X-ray machine and transforms them into an image such as the one in Fig. 1.2. Although the original X-ray signals are of little use to a physician, once they are processed into a recognizable image the information they contain can be used in the diagnosis of disease and injury.

Considerable interaction takes place among the engineering disciplines involved in designing and operating these five classes of systems. Thus communications engineers use digital computers to control the flow of information. Computers contain control systems, and control systems contain computers. Power systems require extensive communications systems to coordinate safely and reliably the operation of components, which may be spread across a continent. A signal-processing system may involve a communications link, a computer, and a control system.

A good example of the interaction among systems is a commercial airplane, such as the one shown in Fig. 1.3. A sophisticated communications system enables the pilot and the air traffic controller to monitor the plane's location, permitting the air traffic controller to design a safe flight path for all of the nearby aircraft and enabling the pilot to keep the plane on its designated path. On the newest commercial airplanes, an onboard computer system is used for managing engine functions, implementing the navigation and flight control systems, and generating video information screens in the cockpit. A complex control system uses cockpit commands to adjust the position and speed of the airplane, producing the appropriate signals to the engines and the control surfaces (such as the wing flaps, ailerons, and rudder) to ensure the plane remains safely airborne and on the desired flight path. The plane must have its own power system to stay aloft and to provide and distribute the electric power needed to keep the cabin lights on, make the coffee, and show the movie. Signal-processing systems reduce the noise in air traffic communications and transform information about the plane's location into the more meaningful form of a video display in the cockpit. Engineering challenges abound in the design of each of these systems and their integration into a coherent whole. For example, these systems must operate in widely varying and unpredictable environmental conditions. Perhaps the most important engineering challenge is to guarantee that sufficient redundancy is incorporated in the designs to ensure that passengers arrive safely and on time at their desired destinations.

Although electrical engineers may be interested primarily in one area, they must also be knowledgeable in other areas that interact with this area of interest. This interaction is part of what makes electrical

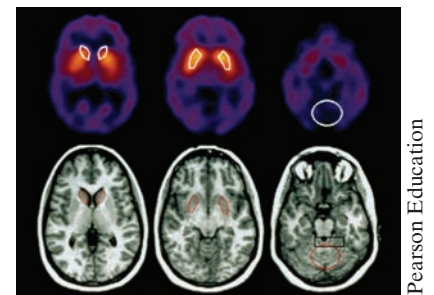


Figure 1.2 ▲ A CT scan of an adult head.

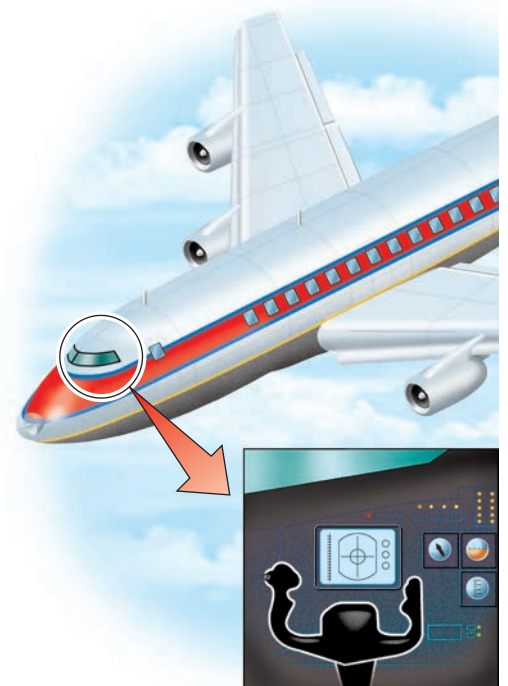


Figure 1.3 ▲ An airplane.

engineering a challenging and exciting profession. The emphasis in engineering is on making things work, so an engineer is free to acquire and use any technique, from any field, that helps to get the job done.

Circuit Theory

In a field as diverse as electrical engineering, you might well ask whether all of its branches have anything in common. The answer is yes—electric circuits. An **electric circuit** is a mathematical model that approximates the behavior of an actual electrical system. As such, it provides an important foundation for learning—in your later courses and as a practicing engineer—the details of how to design and operate systems such as those just described. The models, the mathematical techniques, and the language of circuit theory will form the intellectual framework for your future engineering endeavors.

Note that the term *electric circuit* is commonly used to refer to an actual electrical system as well as to the model that represents it. In this text, when we talk about an electric circuit, we always mean a model, unless otherwise stated. It is the modeling aspect of circuit theory that has broad applications across engineering disciplines.

Circuit theory is a special case of electromagnetic field theory: the study of static and moving electric charges. Although generalized field theory might seem to be an appropriate starting point for investigating electric signals, its application is not only cumbersome but also requires the use of advanced mathematics. Consequently, a course in electromagnetic field theory is not a prerequisite to understanding the material in this book. We do, however, assume that you have had an introductory physics course in which electrical and magnetic phenomena were discussed.

Three basic assumptions permit us to use circuit theory, rather than electromagnetic field theory, to study a physical system represented by an electric circuit. These assumptions are as follows:

1. *Electrical effects happen instantaneously throughout a system.* We can make this assumption because we know that electric signals travel at or near the speed of light. Thus, if the system is physically small, electric signals move through it so quickly that we can consider them to affect every point in the system simultaneously. A system that is small enough so that we can make this assumption is called a **lumped-parameter system**.
2. *The net charge on every component in the system is always zero.* Thus no component can collect a net excess of charge, although some components, as you will learn later, can hold equal but opposite separated charges.
3. *There is no magnetic coupling between the components in a system.* As we demonstrate later, magnetic coupling can occur *within* a component.

That's it; there are no other assumptions. Using circuit theory provides simple solutions (of sufficient accuracy) to problems that would become hopelessly complicated if we were to use electromagnetic field theory. These benefits are so great that engineers sometimes specifically design electrical systems to ensure that these assumptions are met. The importance of assumptions 2 and 3 becomes apparent after we introduce the basic circuit elements and the rules for analyzing interconnected elements.

However, we need to take a closer look at assumption 1. The question is, “How small does a physical system have to be to qualify as a lumped-parameter system?” We can get a quantitative handle on the question by noting that electric signals propagate by wave phenomena. If the wavelength of the signal is large compared to the physical dimensions of the

system, we have a lumped-parameter system. The wavelength λ is the velocity divided by the repetition rate, or **frequency**, of the signal; that is, $\lambda = c/f$. The frequency f is measured in hertz (Hz). For example, power systems in the United States operate at 60 Hz. If we use the speed of light ($c = 3 \times 10^8$ m/s) as the velocity of propagation, the wavelength is 5×10^6 m. If the power system of interest is physically smaller than this wavelength, we can represent it as a lumped-parameter system and use circuit theory to analyze its behavior. How do we define *smaller*? A good rule is the *rule of 1/10th*: If the dimension of the system is 1/10th (or smaller) of the dimension of the wavelength, you have a lumped-parameter system. Thus, as long as the physical dimension of the power system is less than 5×10^5 m, we can treat it as a lumped-parameter system.

On the other hand, the propagation frequency of radio signals is on the order of 10^9 Hz. Thus the wavelength is 0.3 m. Using the rule of 1/10th, the relevant dimensions of a communication system that sends or receives radio signals must be less than 3 cm to qualify as a lumped-parameter system. Whenever any of the pertinent physical dimensions of a system under study approaches the wavelength of its signals, we must use electromagnetic field theory to analyze that system. Throughout this book we study circuits derived from lumped-parameter systems.

Problem Solving

As a practicing engineer, you will not be asked to solve problems that have already been solved. Whether you are trying to improve the performance of an existing system or creating a new system, you will be working on unsolved problems. As a student, however, you will devote much of your attention to the discussion of problems already solved. By reading about and discussing how these problems were solved in the past, and by solving related homework and exam problems on your own, you will begin to develop the skills to successfully attack the unsolved problems you'll face as a practicing engineer.

Some general problem-solving procedures are presented here. Many of them pertain to thinking about and organizing your solution strategy *before* proceeding with calculations.

1. *Identify what's given and what's to be found.* In problem solving, you need to know your destination before you can select a route for getting there. What is the problem asking you to solve or find? Sometimes the goal of the problem is obvious; other times you may need to paraphrase or make lists or tables of known and unknown information to see your objective.

The problem statement may contain extraneous information that you need to weed out before proceeding. On the other hand, it may offer incomplete information or more complexities than can be handled given the solution methods at your disposal. In that case, you'll need to make assumptions to fill in the missing information or simplify the problem context. Be prepared to circle back and reconsider supposedly extraneous information and/or your assumptions if your calculations get bogged down or produce an answer that doesn't seem to make sense.

2. *Sketch a circuit diagram or other visual model.* Translating a verbal problem description into a visual model is often a useful step in the solution process. If a circuit diagram is already provided, you may need to add information to it, such as labels, values, or reference directions. You may also want to redraw the circuit in a simpler, but equivalent, form. Later in this text you will learn the methods for developing such simplified equivalent circuits.